

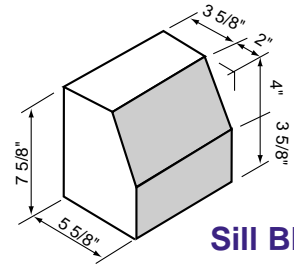
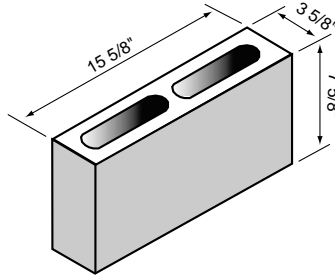
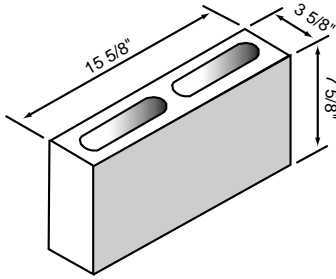
GROUND FACE

STRETCHER

CORNER

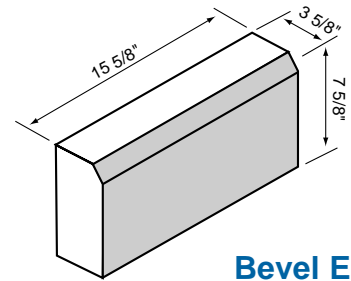
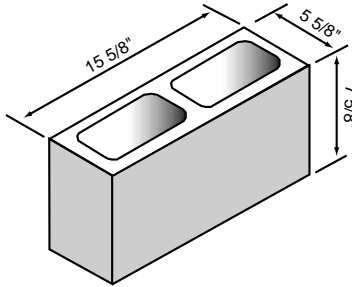
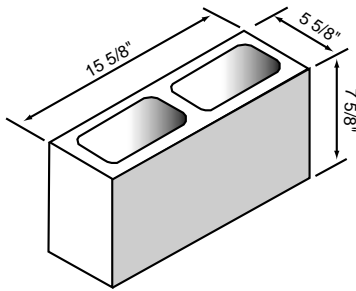
TRANSITIONAL

4"



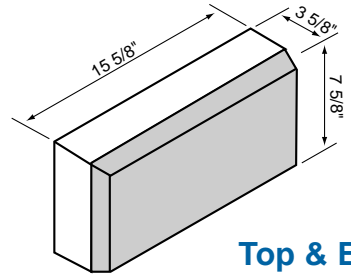
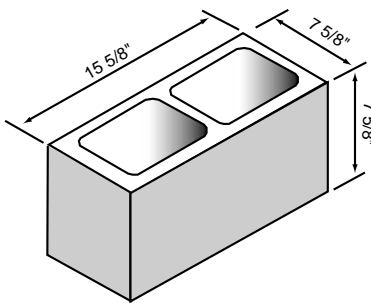
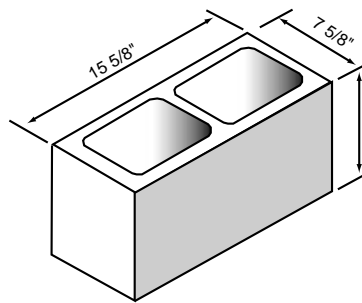
Sill Block

6"



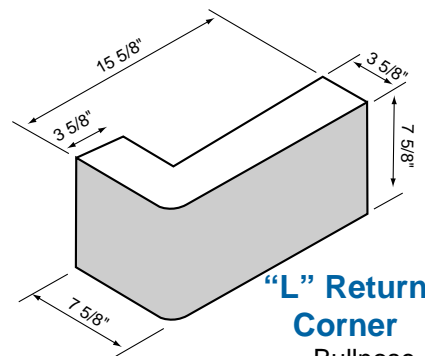
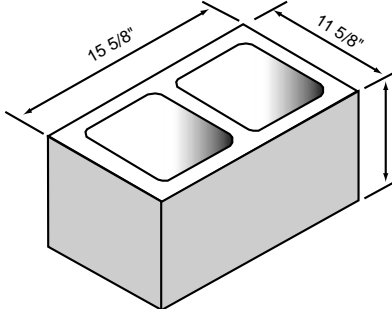
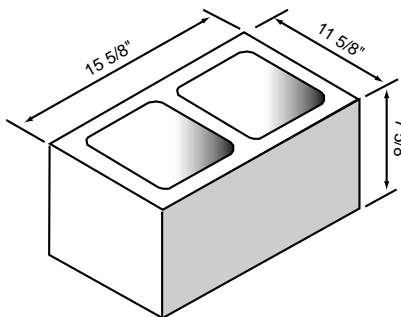
Bevel Edge

8"



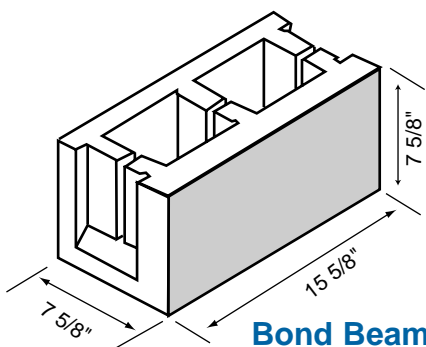
Top & End Bevel Edge

12"

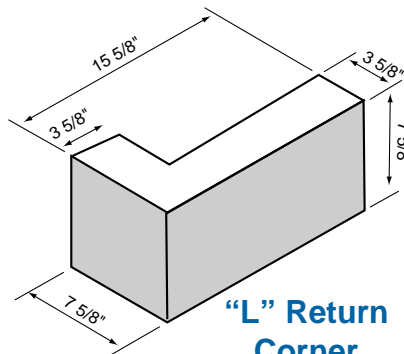


**"L" Return Corner
Bullnose**

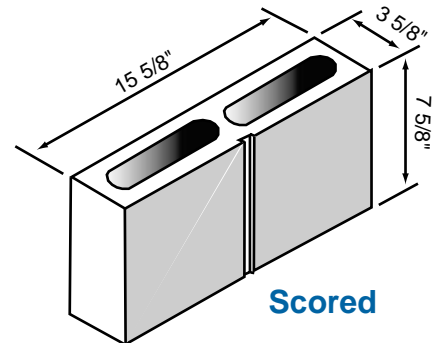
Special Shapes



Bond Beam



**"L" Return
Corner**



Scored